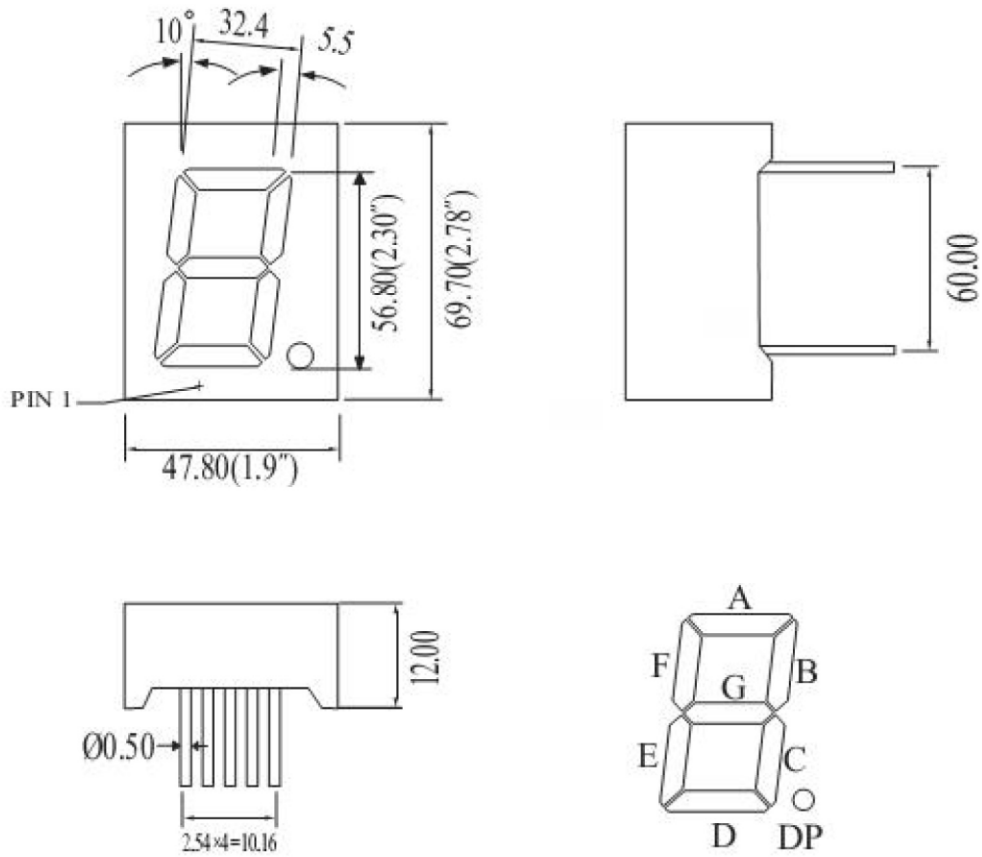




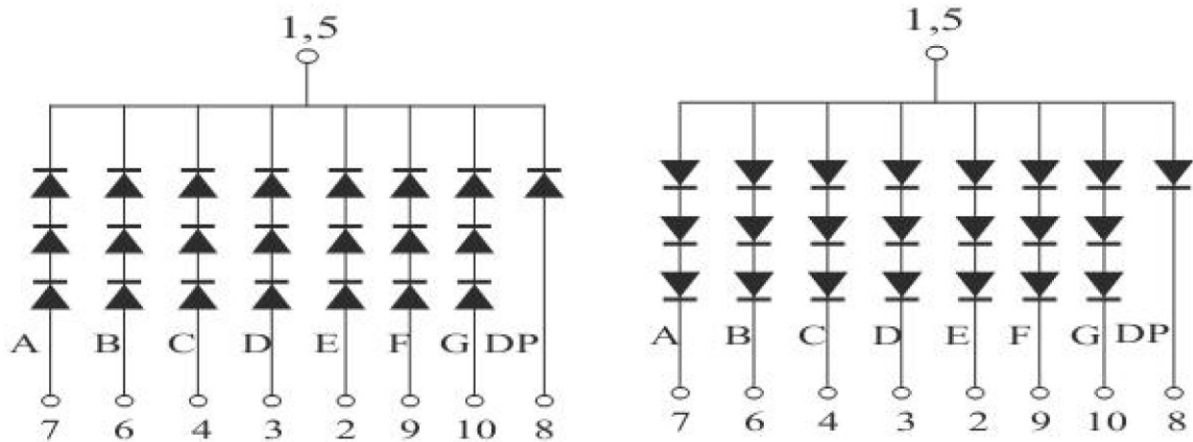
Package Dimensions

HB23011AHR



UNIT: MM(INCH) TOLERANCE: $\pm 0.25(0.01)$ "

Internal Circuit Diagram



HB23011CHR

HB23011AHR

DESCRIPTION

- 56.8mm (2.3") Led Single digital display series,common anode.
- Common Anode
- Standard brightness.
- Low current operation.
- Excellent character apperance.
- Easy mounting on P.C.boards or sockets.

产品最大绝对参数值 Absolute maximum ratings (Ta=25°C)

每段参数 PARMETER PER SEGMENT	符号 SYMBOL	最大数 MAX	单位 UNIT
反向电压 Reverse Voltaget	VR	5	V/Seg
正向电流 Forward Current	IF	20	mA/Seg
峰值电流 (0.1ms) Peak Faward current(1/10 Duty Cycle)	IPEAK	120	mA/Seg
功耗 Power Dissipation	PA	96	mW/Seg
功耗 Power Dissipation	PA	48	mW/dot
工作条件温度 Operating Temperature Range		-25°C to +85°C	
储存温度 Storage Temperature Range		-30°C to +85°C	

距离胶体 1.6mm 焊接, 温度 260°C,焊接时间最多 3 秒

Lead soldering Temperatur260°C at 1.6mm Form Body For 3 Seconds

产品光电参数值 **ELECTRICAL/OPTICAL CHARACTERISTICS (Ta=25°C)**

参数 PARMETER	符号 SYMBOL	MIN	TYP	MAX	UNIT	测试条件 Vest cond
每段亮度 Luminous Intensity Per Chip	Iv	25	28	30	mcd	IF=20mA
每段正向电压 Forward Voltage Per segment	VF		6.3	4.8	V	IF=20mA
每段正向电压 Forward Voltage for Dot	VF		2.1	2.4	V	IF=20mA
波长 Wavelength	$\lambda p / \lambda d$		635/ 630		nm	IF=20mA
半波长度 Spectrum width of half value	$\Delta \lambda$		20		nm	IF=20mA
每段反向电流 Reverse Current Per Segment	IR			10	μA	VR=5V

器件表面及封装颜色 **Surface / Lens color**

Number	0	1	2	3	4
Ref Surface Color	White	Black	Gray	Red	Green
Epoxy Color	Water clear	White Diffused	Red Diffused	Green Diffused	Yellow Diffused